

Regulating Septic Systems in Bellemont

Joelle Wirth
Program Manager
Community Development



COCONINO
COUNTY ARIZONA



Services

- Permitting of Onsite Wastewater Systems
- Notice of Transfer Inspections
- Permitting, inspection and licensing of haulers; solid waste, septic and water
- Investigation of solid waste complaints
- Educational outreach



Snapshot of Environmental Permitting

- < 2001 Wastewater was regulated by guidelines
- 2001- Rules were adopted by the Arizona Department of Environmental Quality as part of the Aquifer Protection Permit Program
- 2005 - With the first 5 year rule review corrections were made.



Authority

The Arizona Department of Environmental Quality delegates functions and duties of the Aquifer Protection Permit Program to Coconino County to enforce

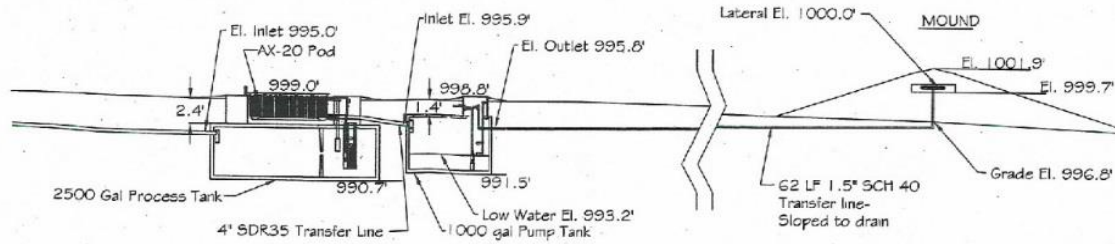


Types of Systems

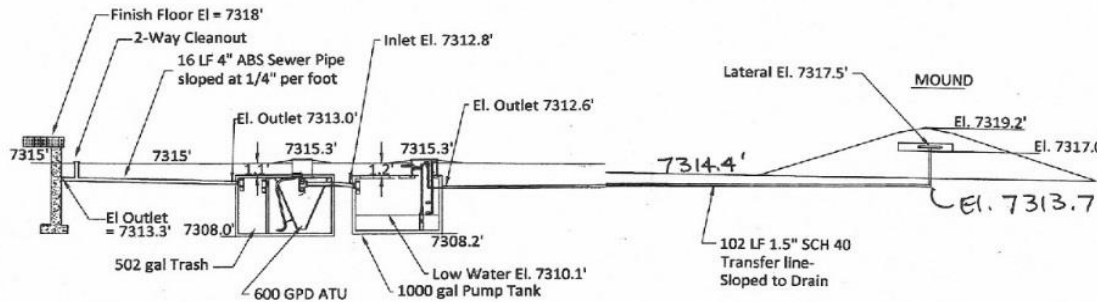
Issue construction permits and approvals for 23 different types of onsite wastewater systems for both Residential and Commercial projects.

Septic System Designs

Textile Treatment Unit

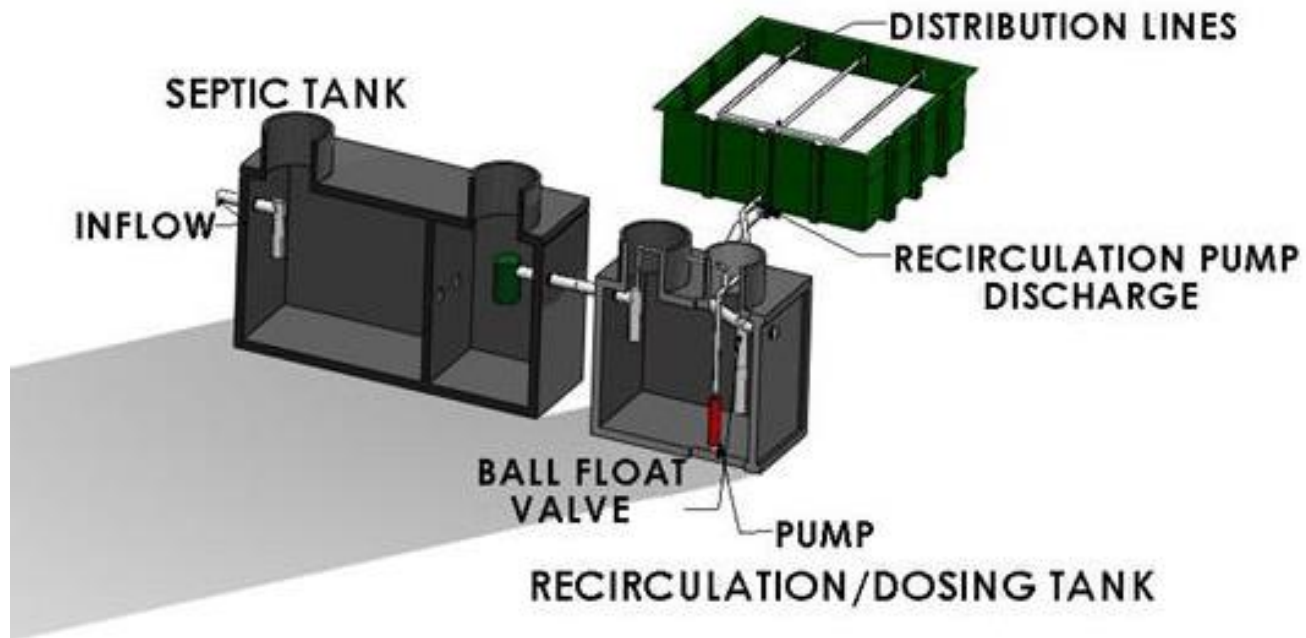


Aerobic Treatment Unit



New Technology

E-Z TREAT RECIRCULATION SAND/MEDIA FILTERS



Questions?



COCONINO
COUNTY ARIZONA